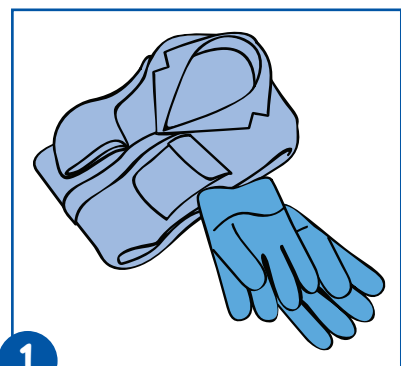


JANGRO Product Guide



Enviro Floor Gel BF100-5



1 Put on PPE.



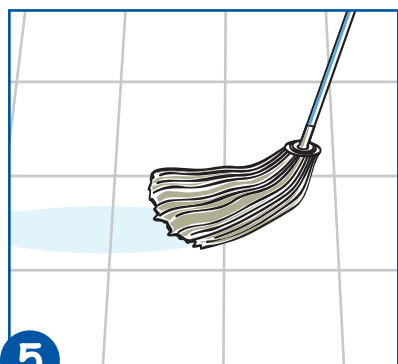
2 Place safety signs.



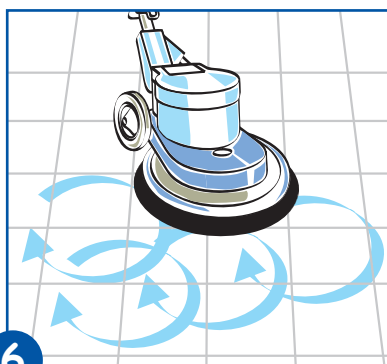
3 Sweep floor.



4 Dilute 80ml of solution per 5 litres of cold water in a bucket.



5 Mop/Spray floor.



6 When dry buff to a shine.



7 Once surface is dry remove safety signs.

Health & Safety
Please refer to relevant
COSHH Sheet.